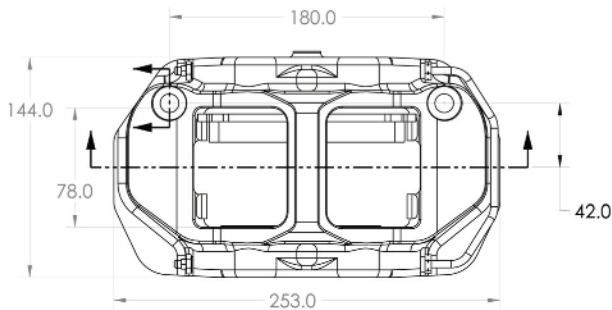


ZR34 Series Caliper

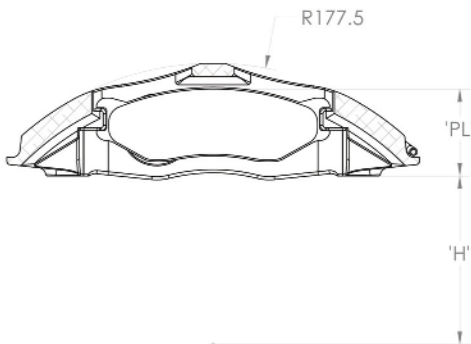
Monobloc - 4 piston

Application	Various	Various
Mount Dim. (mm)	180x42mm	180x42mm
Piston sizes (mm)	25.5/29.0	41.0/44.0
Piston area per side (mm ²)	1171.22	2840.78
Max disc dia (mm)	323	323
Max disc thickness (mm)	32	32
Min disc thickness (mm)	30	30
Max pad thickness (mm)	19	19
Fluid capacity (cm ³)	32.8	79.5
Max operating pressure	103bar / 1500psi	103bar / 1500psi
Pad Shape	7934	7934
Pad area per side (cm ²)	74.8	74.8
Caliper weight	2.2kg / 4.9lbs	2.0kg / 4.5lbs

Handing	Caliper Part #	Caliper Part #
Leading Left	34.323.255.290.01	34.323.410.440.01
Leading Right	34.323.255.290.02	34.323.410.440.02
Trailing Left	34.323.255.290.11	34.323.410.440.11
Trailing Right	34.323.255.290.12	34.323.410.440.12



34.323.XXX.XXX.XX				
Rotor OD (mm)	Pad Shape	Eff. Radius (mm)	'H' Dim (mm)	'PL' Dim (mm)
323.0	7934	141.0	108.5	53.0
299.0	7934	129.0	96.5	53.0



Stud Diameter
 Min locating \varnothing : 11.975 mm
 Max \varnothing : 12.025 mm

