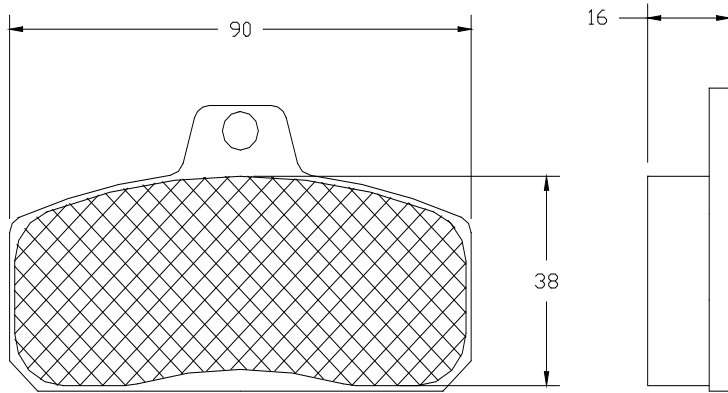
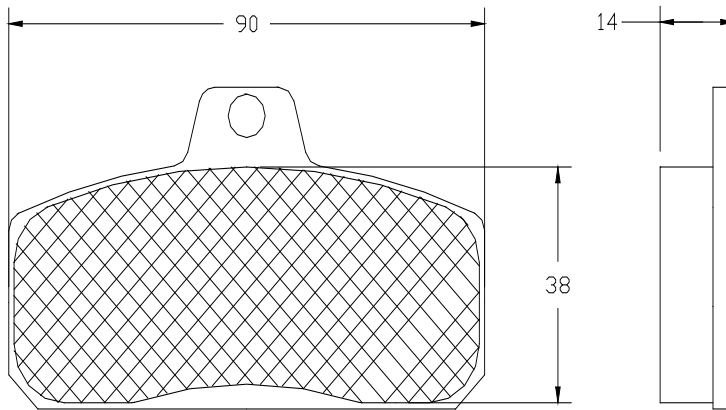


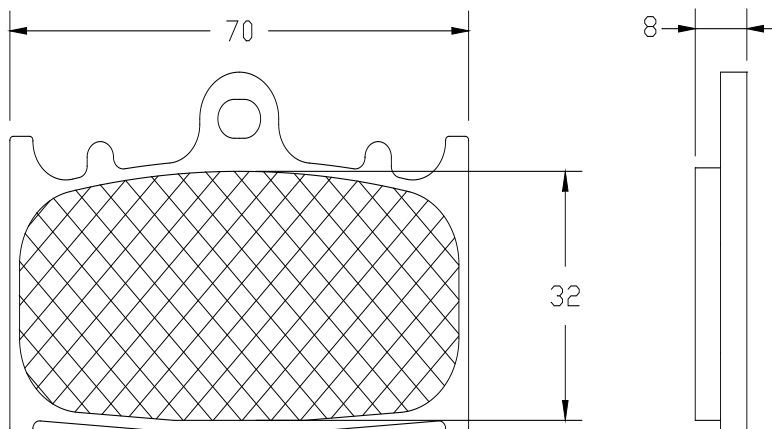
PERFORMANCE FRICTION PAD DRAWINGS



7501 XX XX XX

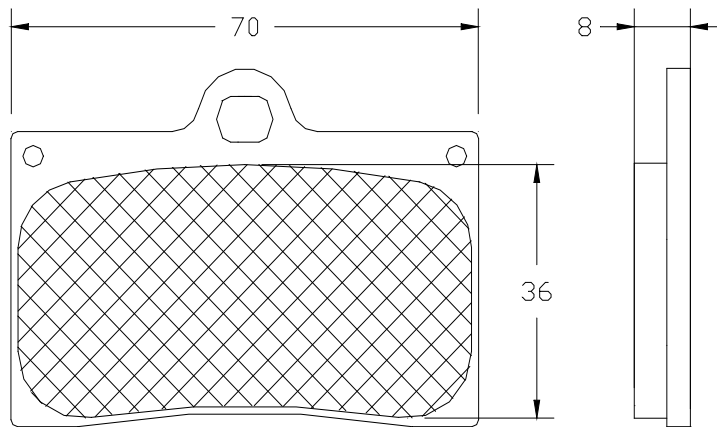


7502 XX XX XX

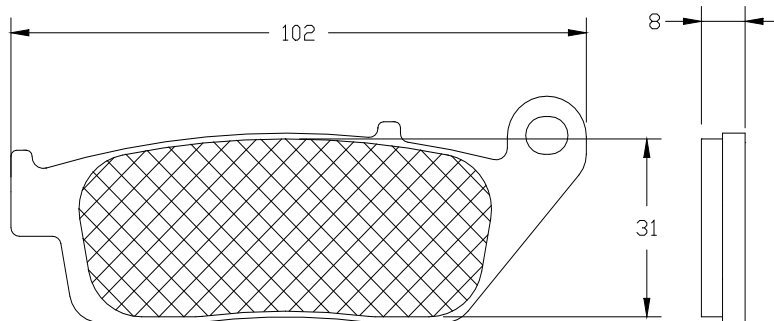


7518.XX.XX.XX

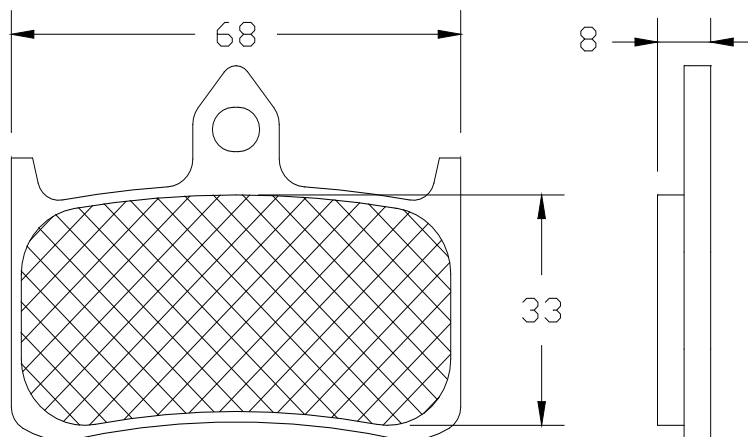
PERFORMANCE FRICTION PAD DRAWINGS



7520.XX.XX.XX

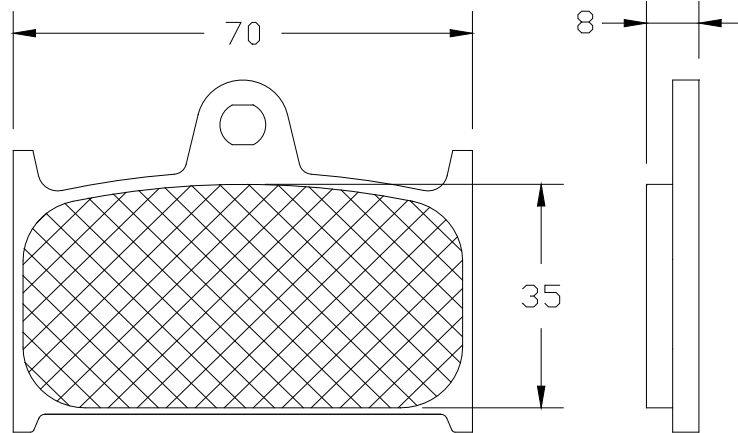


7522.XX.XX.XX

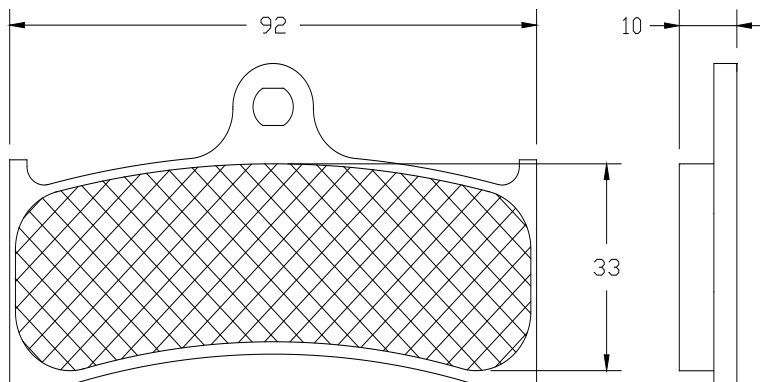


7523.XX.XX.XX

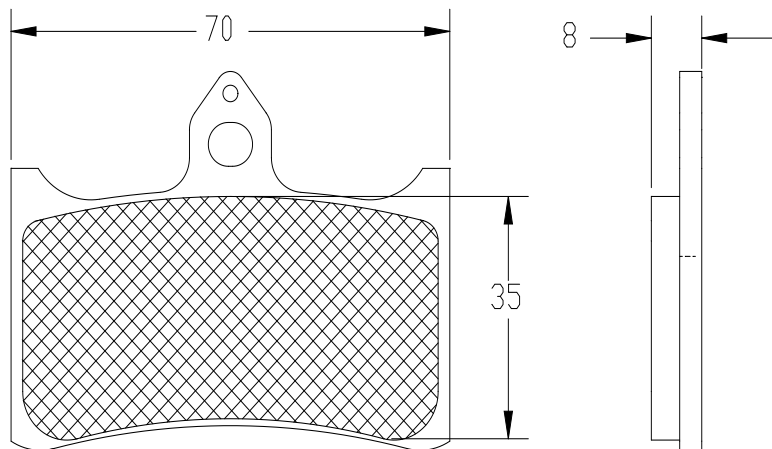
PERFORMANCE FRICTION PAD DRAWINGS



7524.XX.XX.XX

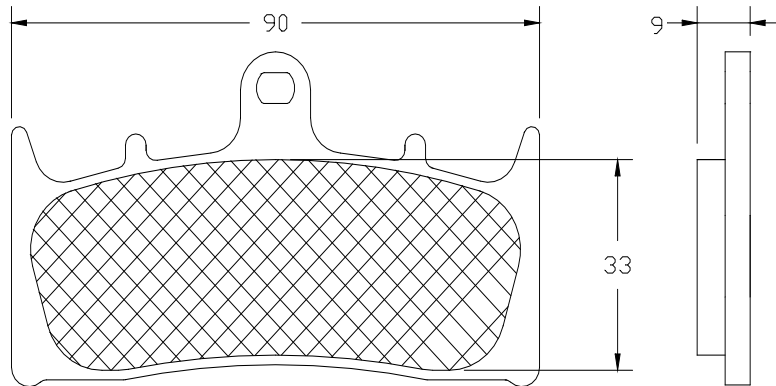


7525.XX.XX.XX

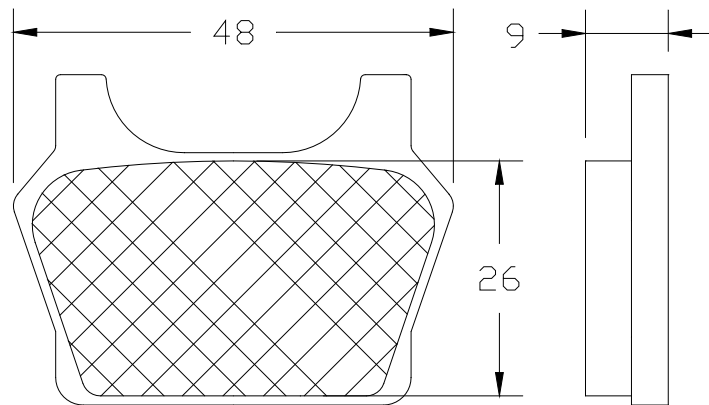


7526.XX.XX.XX

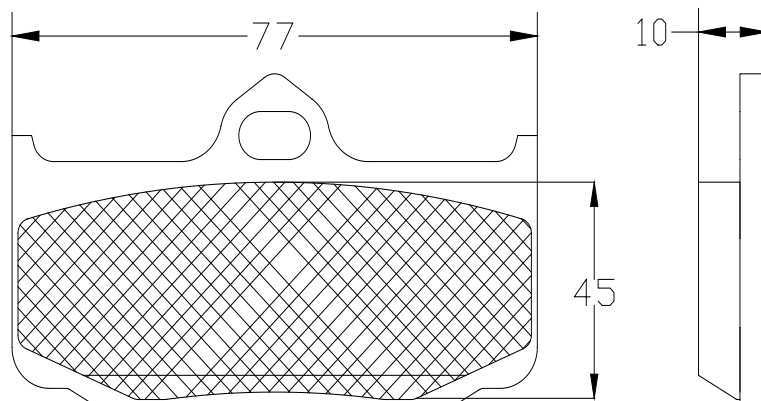
PERFORMANCE FRICTION PAD DRAWINGS



7528.XX.XX.XX

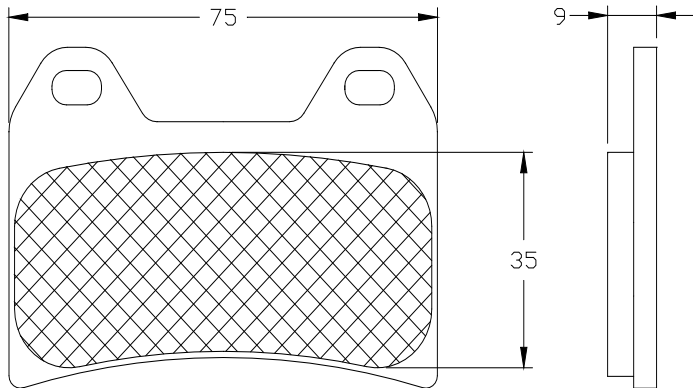


7530.XX.XX.XX

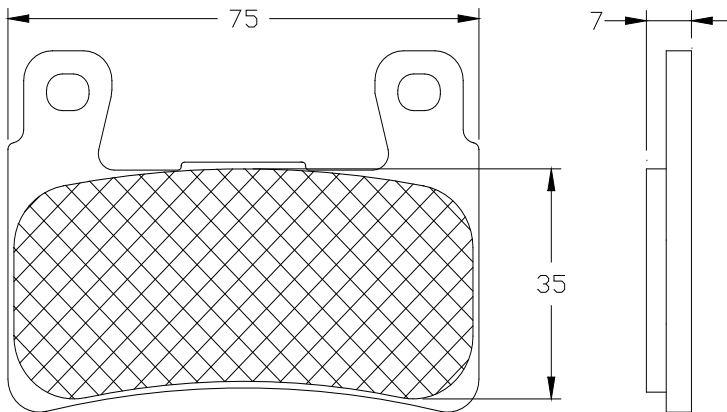


7531.XX.XX.XX

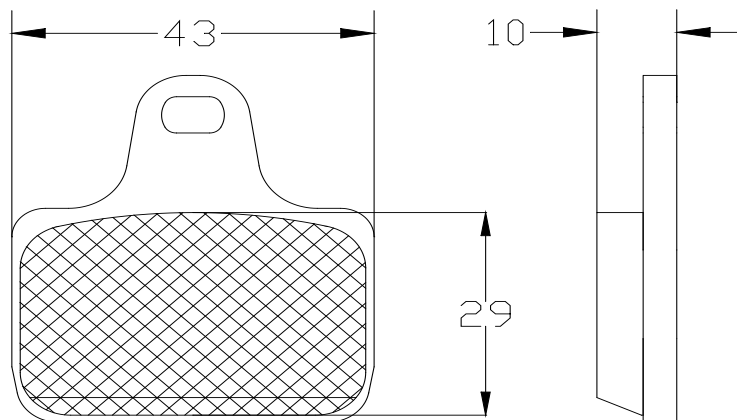
PERFORMANCE FRICTION PAD DRAWINGS



7532.XX.XX.XX

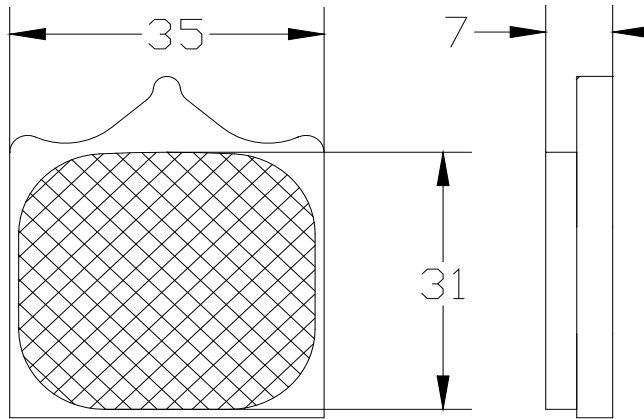


7533.XX.XX.XX

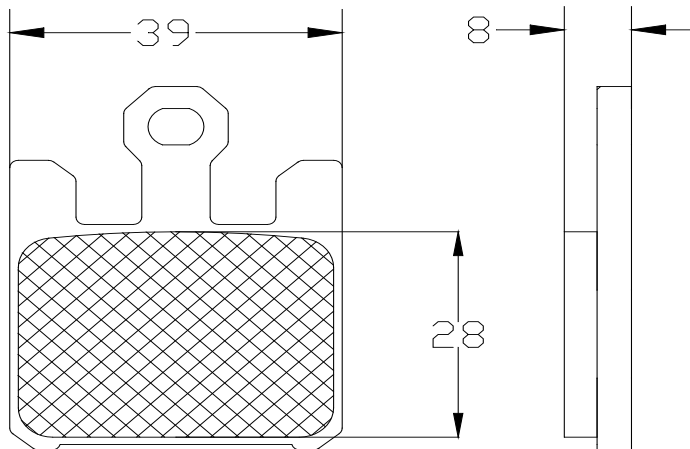


7534.XX.XX.XX

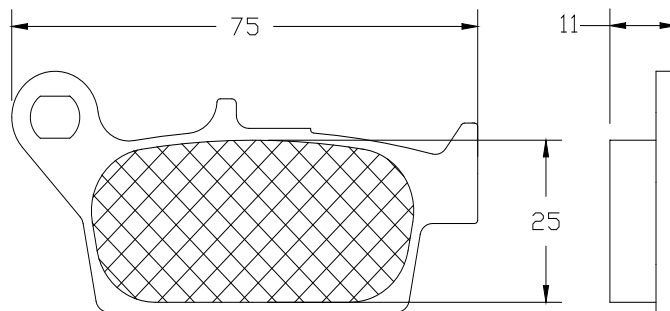
PERFORMANCE FRICTION PAD DRAWINGS



7535.XX.XX.XX

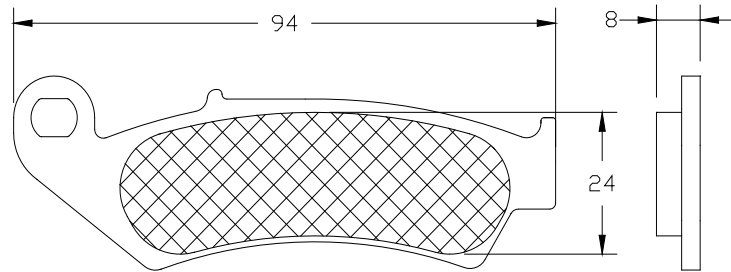


7536.XX.XX.XX

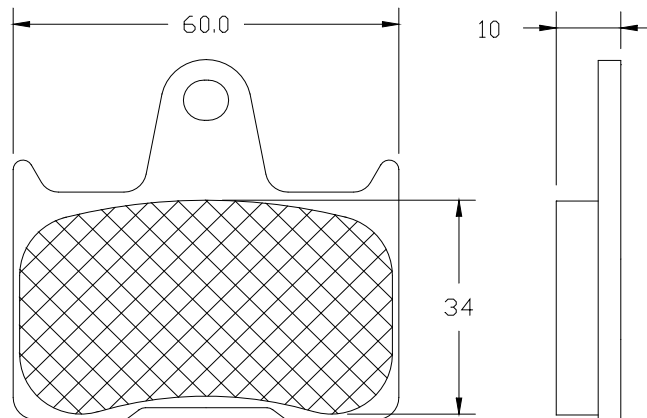


7537.XX.XX.XX

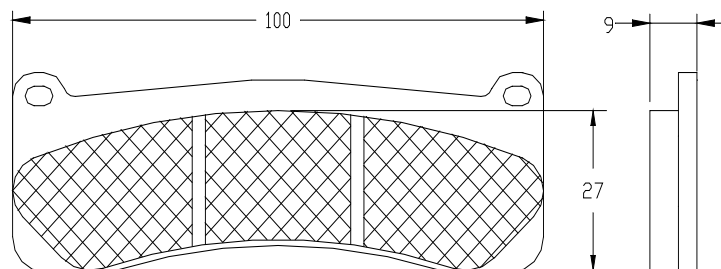
PERFORMANCE FRICTION PAD DRAWINGS



7542 XX XX XX

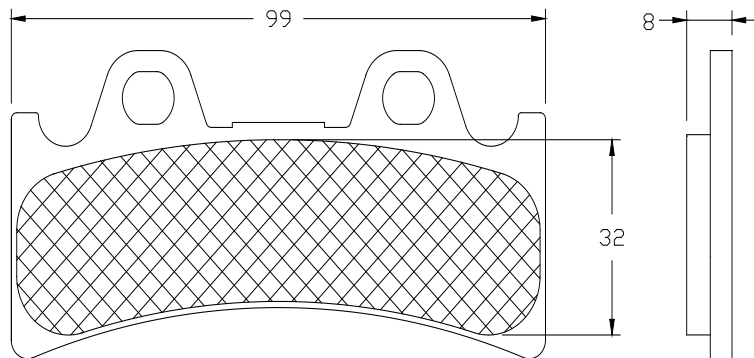


7546.XX.XX.XX

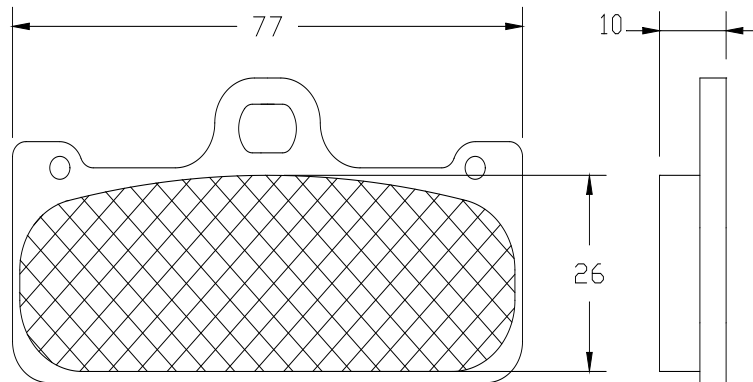


7570.XX.XX.XX

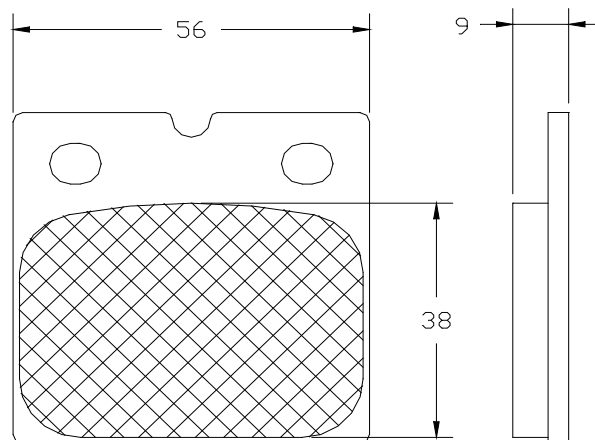
PERFORMANCE FRICTION PAD DRAWINGS



7572.XX.XX.XX

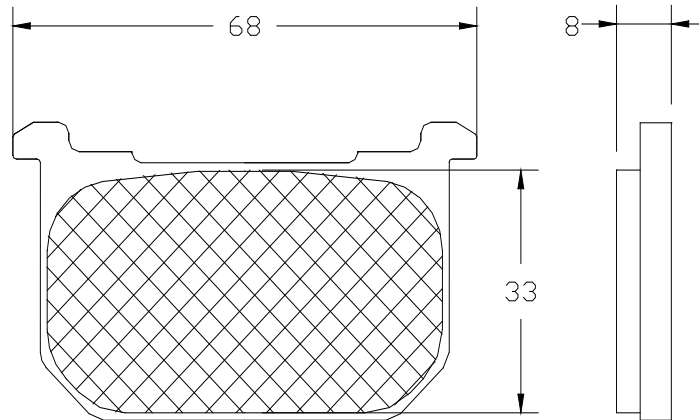


7573.XX.XX.XX

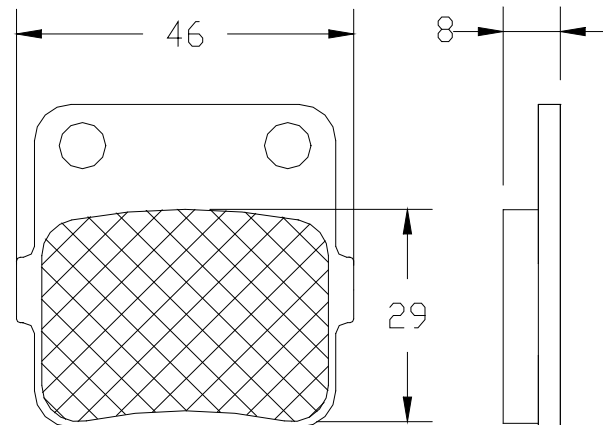


7574.XX.XX.XX

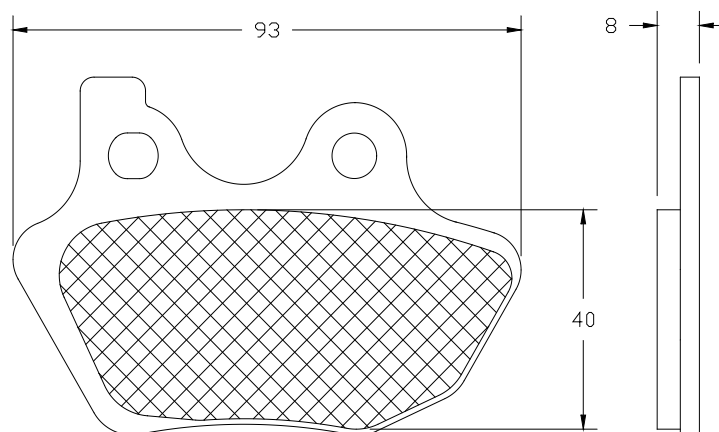
PERFORMANCE FRICTION PAD DRAWINGS



7577.XX.XX.XX

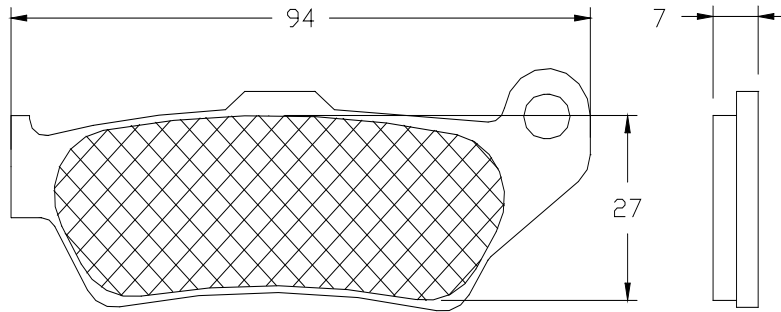


7578.XX.XX.XX

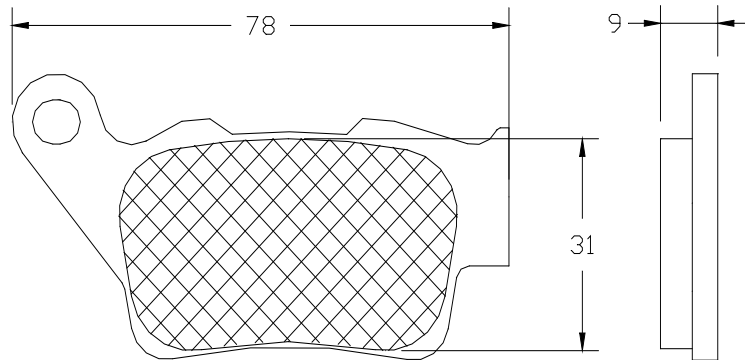


7580.XX.XX.XX

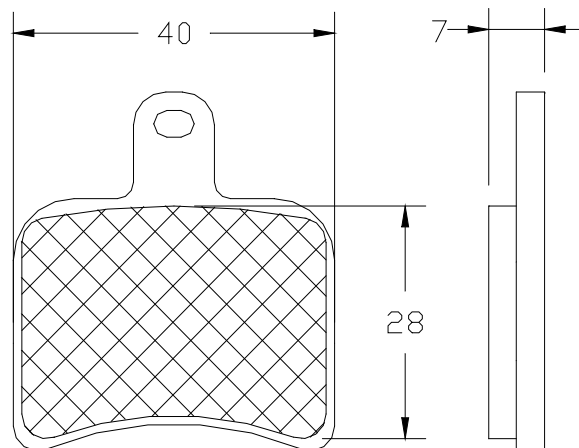
PERFORMANCE FRICTION PAD DRAWINGS



7581.XX.XX.XX

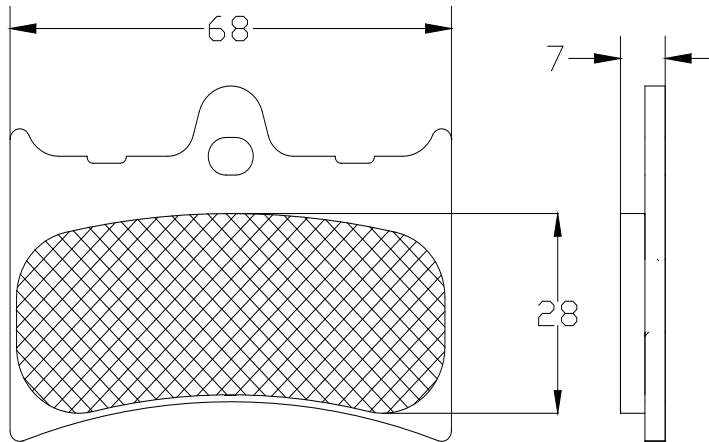


7582.XX.XX.XX

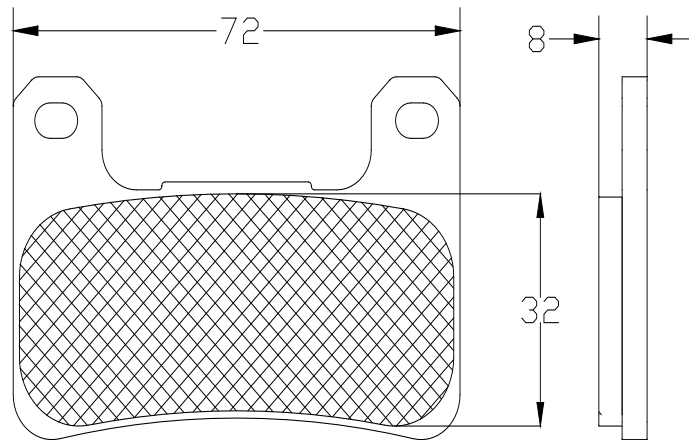


7591.XX.XX.XX

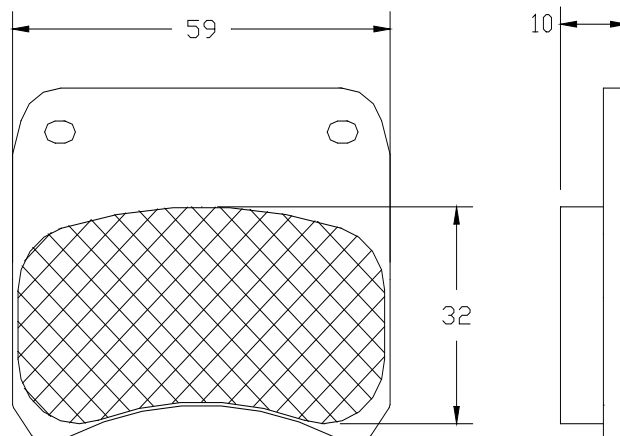
PERFORMANCE FRICTION PAD DRAWINGS



7597.XX.XX.XX

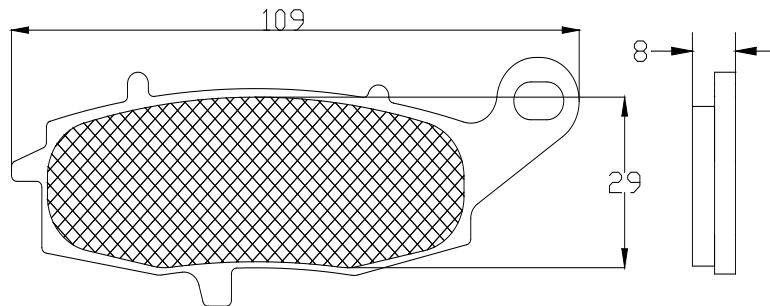


7598.XX.XX.XX

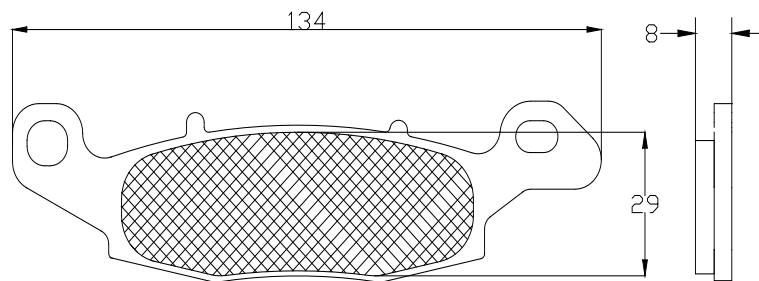


7599.XX.XX.XX

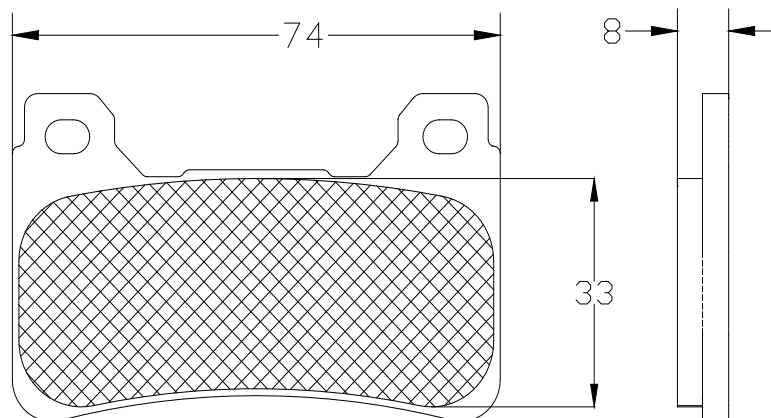
PERFORMANCE FRICTION PAD DRAWINGS



7600.XX.XX.XX

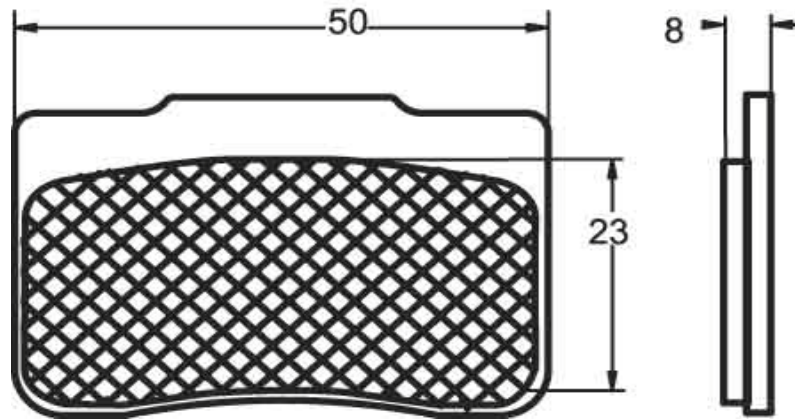


7601.XX.XX.XX

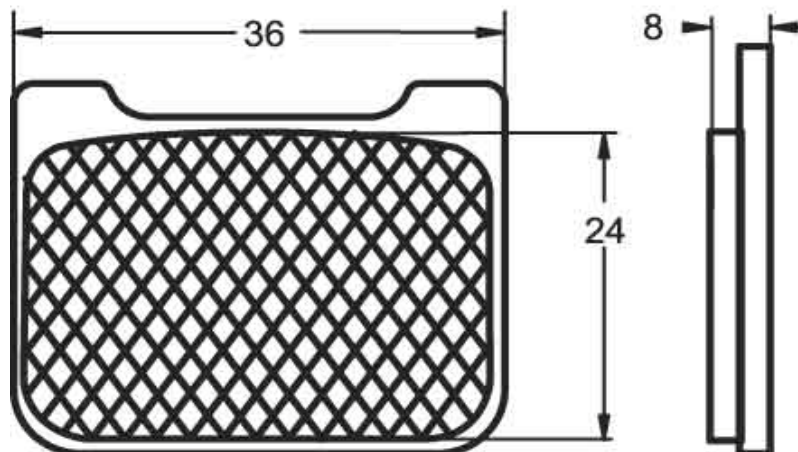


7602.XX.XX.XX

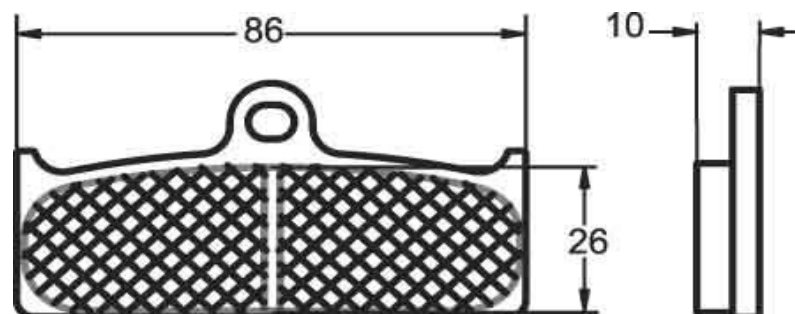
PERFORMANCE FRICTION PAD DRAWINGS



7603.xx.xx.92

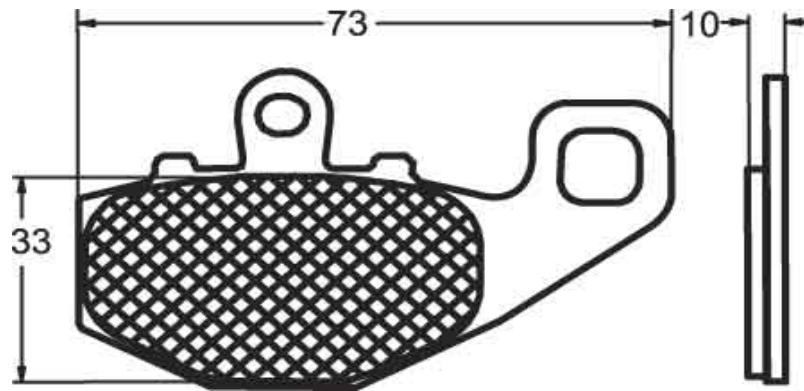


7604.xx.xx.92

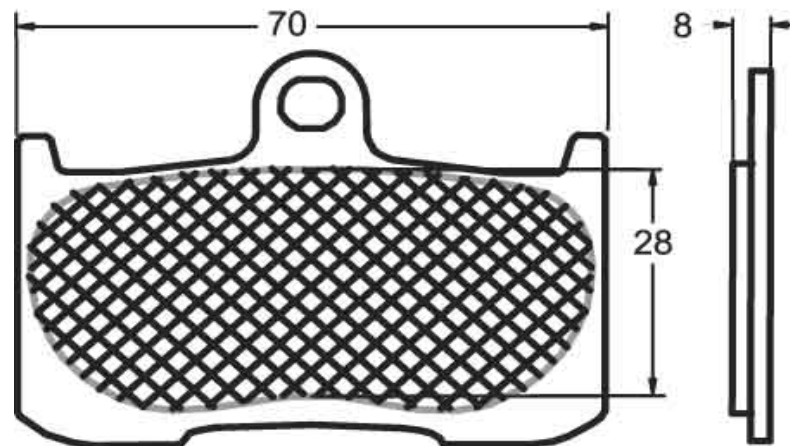


7606.xx.xx.92

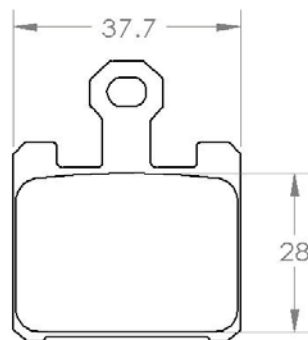
PERFORMANCE FRICTION PAD DRAWINGS



7607.xx.xx.92

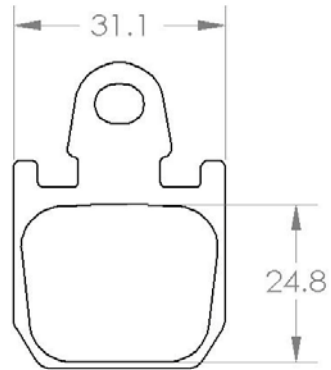


7610.xx.xx.92

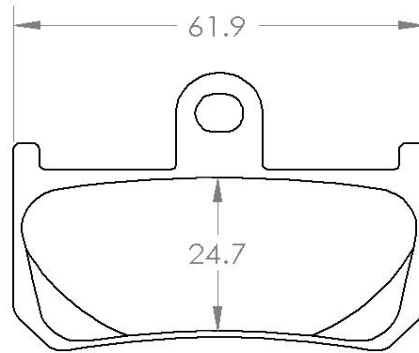


7612.xx.xx.94

PERFORMANCE FRICTION PAD DRAWINGS

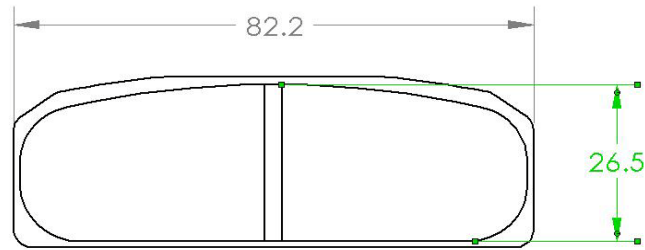


7613.xx.xx.10

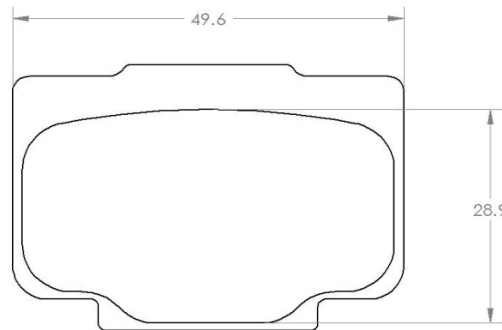


7613.xx.xx.20

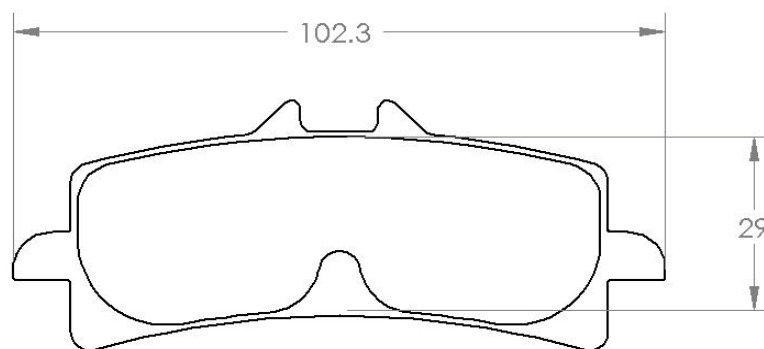
PERFORMANCE FRICTION PAD DRAWINGS



7614.xx.xx.92

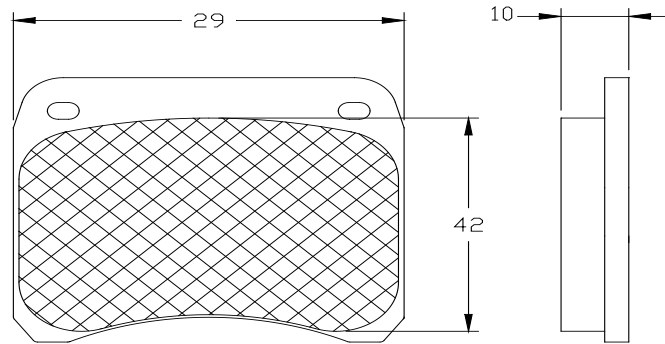


7615.xx.xx.92

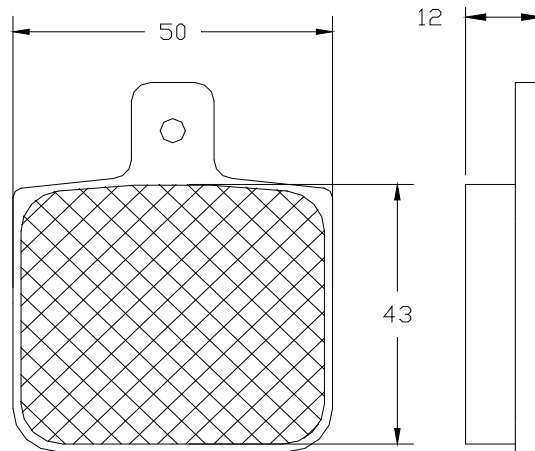


7617.xx.xx.92

PERFORMANCE FRICTION PAD DRAWINGS



7719.XX.XX.XX



7757.XX.XX.XX